

UTC CD4069

CMOS IC

INVERTER CIRCUITS

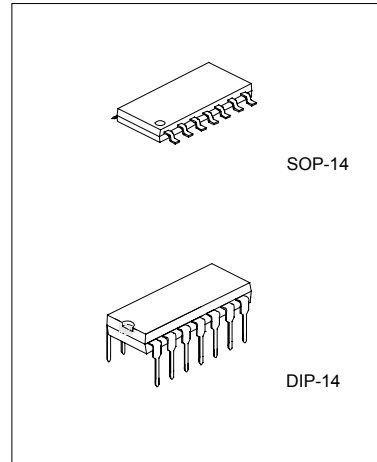
DESCRIPTION

The UTC CD4069 consists of six inverter circuits and is manufactured using complementary MOS (CMOS) to achieve wide power supply operating range, low power consumption, high noise immunity, and symmetric controlled rise and fall times.

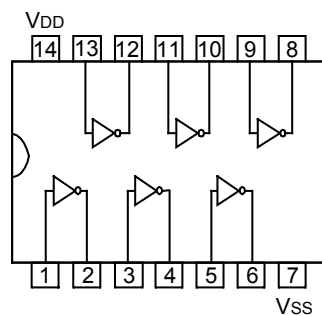
All inputs are protected from damage due to static discharge by diode clamps to VDD and VSS.

FEATURES

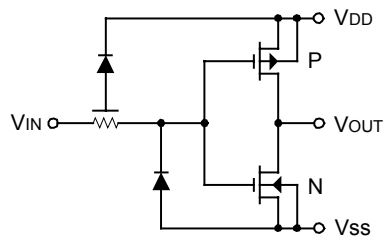
- * Wide supply voltage range: 3.0V ~ 15V.
- * High noise immunity: 0.45 V_{DD} typ.
- * Low Power TTL compatibility: Fan out of 2 driving 74L or 1 driving 74LS.



PIN CONFIGURATION



BLOCK DIAGRAM



ABSOLUTE MAXIMUM RATINGS (Note 1, Note 2)

PARAMETER	SYMBOL	RATINGS	UNIT
DC Supply Voltage	V _{DD}	-0.5 ~ +18	V
Input Voltage	V _{IN}	-0.5 ~ V _{DD} +0.5	V
Storage Temperature Range	T _s	-65 ~ +150	°C
Power Dissipation	P _D	700	mW
DIP-14 SOP-14		500	
Lead Temperature (Soldering, 10 seconds)	T _L	260	°C

RECOMMENDED OPERATING CONDITIONS (Note 2)

PARAMETER	SYMBOL	RATINGS	UNIT
DC Supply Voltage	V _{DD}	3 ~ 15	V
Input Voltage	V _{IN}	0 ~ V _{DD}	V
Operating Temperature Range	T _a	-40 ~ 85	°C

DC ELECTRICAL CHARACTERISTICS (Note 2, T_a=25°C, unless otherwise noted.)

PARAMETER	SYMBOL	CONDITIONS	MIN	TYP	MAX	UNIT
Quiescent Device Current	I _{DD}	V _{DD} =5V, V _{IN} =V _{DD} or V _{SS}			1.0	μA
		V _{DD} =10V, V _{IN} =V _{DD} or V _{SS}			2.0	
		V _{DD} =15V, V _{IN} =V _{DD} or V _{SS}			4.0	
Low Level Output Voltage	V _{OL}	I _O < 1 μA				V
		V _{DD} =5V		0	0.05	
		V _{DD} =10V		0	0.05	
High Level Output Voltage	V _{OH}	I _O < 1 μA				V
		V _{DD} =5V	4.95			
		V _{DD} =10V	9.95			
Low Level Input Voltage	V _{IL}	I _O < 1 μA				V
		V _{DD} =5V, V _O =4.5V			1.0	
		V _{DD} =10V, V _O =9V			2.0	
High Level Input Voltage	V _{IH}	I _O < 1 μA				V
		V _{DD} =5V, V _O =0.5V	4.0			
		V _{DD} =10V, V _O =1V	8.0			
Low Level Output Current (Note 3)	I _{OL}	V _{DD} =5V, V _O =0.4V	0.44	0.88		mA
		V _{DD} =10V, V _O =0.5V	1.1	2.25		
		V _{DD} =15V, V _O =1.5V	3.0	8.8		
High Level Output Current (Note 3)	I _{OH}	V _{DD} =5V, V _O =4.6V	-0.44	-0.88		mA
		V _{DD} =10V, V _O =9.5V	-1.1	-2.25		
		V _{DD} =15V, V _O =13.5V	-3.0	-8.8		
Input Current	I _{IN}	V _{DD} =15V, V _{IN} =0V		-10 ⁻⁵	-0.30	μA
		V _{DD} =15V, V _{IN} =15V		10 ⁻⁵	0.30	

AC ELECTRICAL CHARACTERISTICS*

($T_a=25^\circ\text{C}$, $C_L=50\text{pF}$, $R_L=200\text{k}\Omega$, t_r and $t_f \leq 20\text{ ns}$, unless otherwise specified)

PARAMETER	SYMBOL	CONDITIONS	MIN	TYP	MAX	UNIT
Propagation Delay Time from Input to Output	t_{PHL} or t_{PLH}	$V_{DD}=5\text{V}$		50	90	ns
		$V_{DD}=10\text{V}$		30	60	
		$V_{DD}=15\text{V}$		25	50	
Transition Time	t_{THL} or t_{TLH}	$V_{DD}=5\text{V}$		80	150	ns
		$V_{DD}=10\text{V}$		50	100	
		$V_{DD}=15\text{V}$		40	80	
Average Input Capacitance	C_{IN}	Any Gate		6	15	pF
Power Dissipation Capacitance	C_{PD}	Any Gate (Note 4)		12		pF

*AC Parameters are guaranteed by DC correlated testing.

Note 1: "Absolute Maximum Ratings" are those values beyond which the safety of the device cannot be guaranteed.

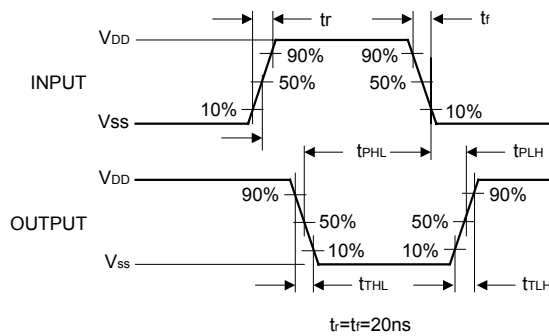
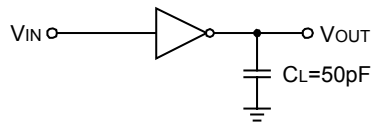
They are not meant to imply that the devices should be operated at these limits. The table of "Recommended Operating Conditions" and "Electrical Characteristics" provides conditions for actual device operation.

Note 2: $V_{SS}=0\text{V}$ unless otherwise specified.

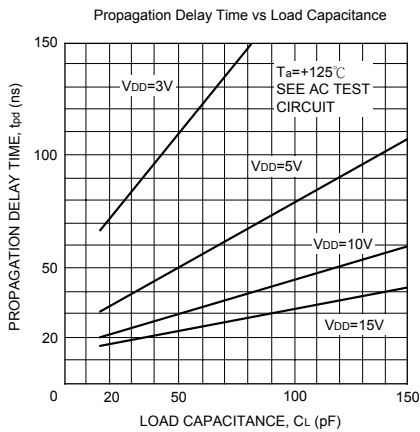
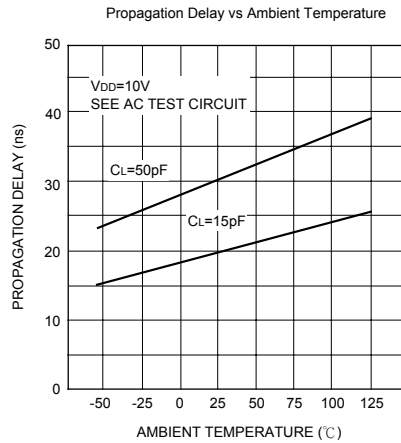
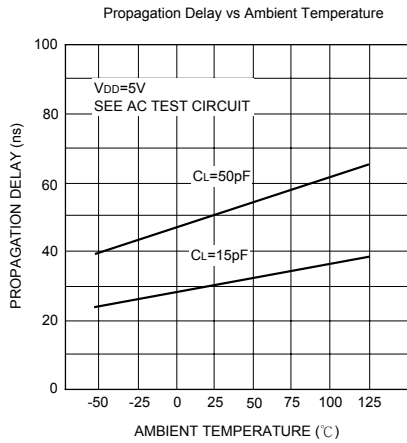
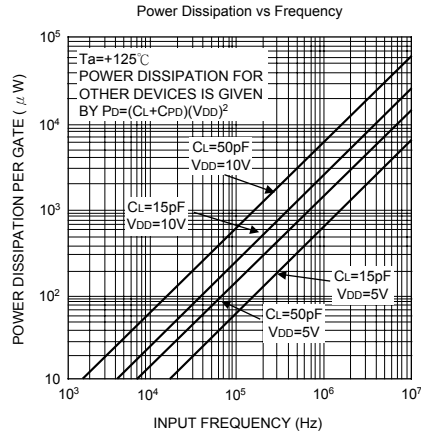
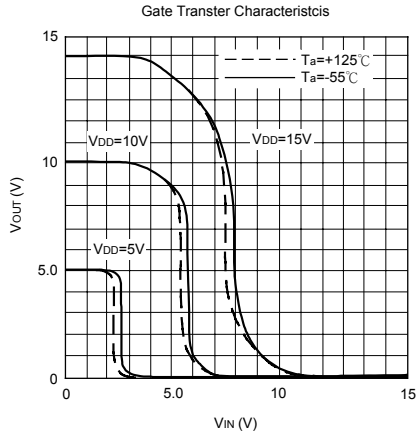
Note 3: I_{OH} and I_{OL} are tested one output at a time.

Note 4: C_{PD} determines the no load AC power consumption of any CMOS device.

AC TEST CIRCUITS AND SWITCHING TIME WAVEFORMS



TYPICAL PERFORMANCE CHARACTERISTICS



UTC assumes no responsibility for equipment failures that result from using products at values that exceed, even momentarily, rated values (such as maximum ratings, operating condition ranges, or other parameters) listed in products specifications of any and all UTC products described or contained herein. UTC products are not designed for use in life support appliances, devices or systems where malfunction of these products can be reasonably expected to result in personal injury. Reproduction in whole or in part is prohibited without the prior written consent of the copyright owner. The information presented in this document does not form part of any quotation or contract, is believed to be accurate and reliable and may be changed without notice.